

Multi Color Impression - making multi color easier!

→ Multi Color Jet



www.troteclaser.com



MULTI COLOR SPECTRUM



Personalized, multi-colored impressions
Automated production
Intelligent workflow
Up to 15 stamp ink colors in one inking process

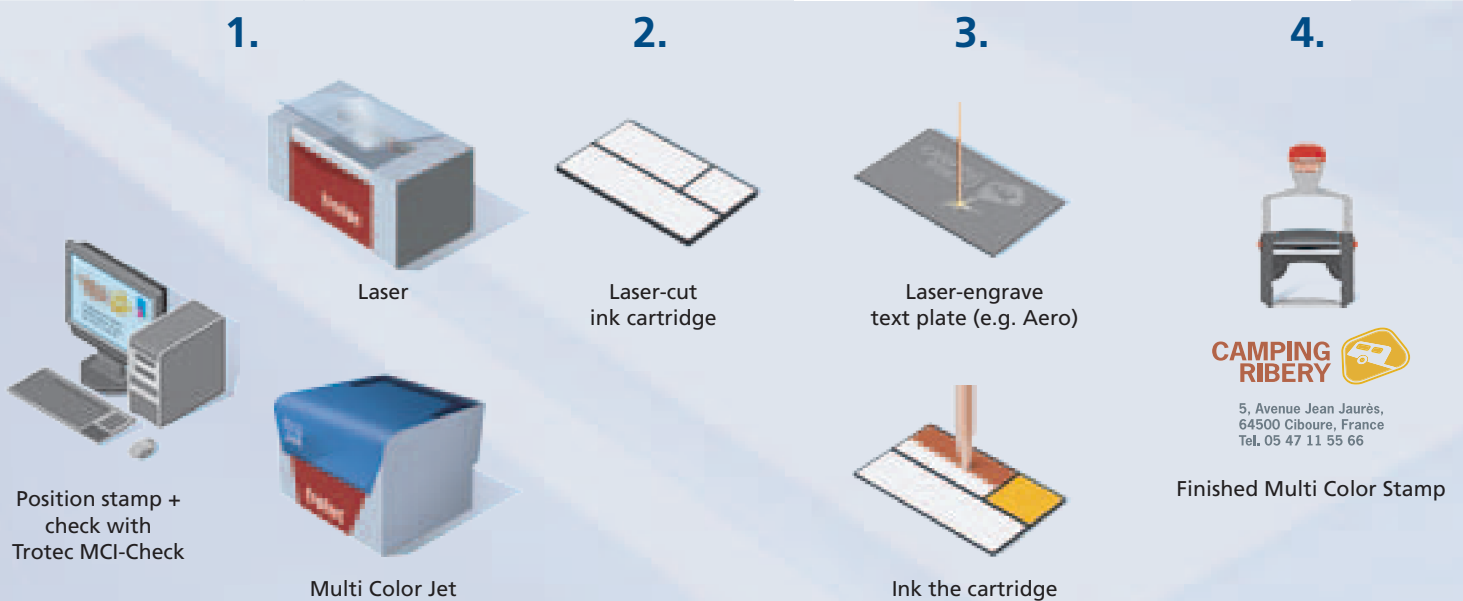
→ Multi Color stamp – how it works

The production of Multi Color stamps is now even easier. With the Multi Color Jet, Trotec and Trodat have further optimized the Multi Color stamp production process. While the Trotec laser engraves the stamp text plate, the Multi Color Jet inks the ink cartridge (stamp pad), previously cut using the laser. As both procedures are performed simultaneously, they are both finished quickly, just like a traditional stamp production process. And all 15 colors of the Multi Color spectrum are already permanently installed in the Multi Color Jet - no need to retool.



INDIVIDUAL
COLOR STAMPS

→ The Multi Color Jet workflow:



→ How does it work?

- Design the multi color impression in CorelDraw as usual. The Multi Color Check software automatically checks whether the chosen impression meets the specifications and is feasible to produce.
- Click just once to simultaneously generate the jobs required for both production machines - laser and Multi Color Jet. The intelligent laser software automatically generates three production jobs: the laser cutting of the Multi Color ink cartridge, the job for inking the ink cartridge, and the laser engraving job for producing the stamp text plate.
- Place the un-inked Multi Color ink cartridge in the laser. A flexible tray helps you to position the ink cartridge correctly. The Trotec laser quickly and precisely cuts the respective segments of the ink cartridge according to the impression design.
- Now remove the tray from the laser and place it in the Multi Color Jet. Click once to start the fully-automated inking process. The complete range of 15 colors is always available - really simple and clean to use!
- At the same time, start the laser to engrave the associated text plate. This lets you produce a finished Trodat stamp with your own personalized multi-colored impression quickly, cleanly and efficiently.

Pesca Roberto srl.
 Traffico di pesce a frutti di mare



Viale Bisagno, 2 • 16121 Genova
 Tel. 010 6424711 • Fax: -55
 pesca@roberto.it • www.pescaroberto.it



Schülernachhilfe
Lernmaus

Kurs-
 beginn **28. Aug. 2019** lesen
 schreiben
 rechnen




Inking process



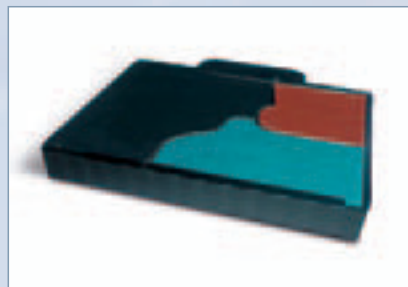
Multi Color Jet tanks



Complete color spectrum – 15 colors



Laser rubber text plate



Multi Color ink cartridge



Multi Color impression

→ The advantages for you:

Customized designs

The Multi Color Jet allows you to produce your own personalized multi-colored stamps. No matter whether they are individual pieces or series items. The various colored stamp text and logo fields can be arranged as required.

Absolute precision

The laser accurately cuts the ink cartridges while simultaneously sealing the color fields. This prevents the contamination of each of the individual color fields.

Optimum quality

The Multi Color Jet inks each of the individual color fields with the optimum amount of ink. The result is a set of clean impressions to the usual Trodat level of quality.

Reliable production

The unique Multi Color Check software even helps you create your own designs. Simply click once to check whether the desired layout can be produced, and fully automate it as required.

Proven technology

The Trotec Laser Speedy 300, Speedy 100 and Rayjet are compatible with the Multi Color Jet. The only laser system add-on you need to start Multi Color stamp production is the Multi Color Jet. Just one PC is required to control both machines.

Greater productivity

Just one print command is all that is required to generate jobs to engrave the text plate, cut the ink cartridge and ink it. While the Multi Color Jet inks the ink cartridge, the Trotec laser engraves the associated text plates. This allows you to provide your customers with Multi Color stamps even more quickly.

Complete process reliability

The patented Multi Color manufacturing process guarantees the exact same color and shape throughout. Subsequently ordering spare ink cartridges is therefore also easy and reliable.

→ The Multi Color Jet product guide:

Compatible Trotec laser systems

Speedy 300
Speedy 100
Rayjet



Design options

color field min. 8 x 8 mm
Distance between color fields min. 2.5 mm

Number of ink cartridges per inking job

Up to 12 (depending on ink cartridge size)

Multi Color spectrum

Up to 15 colors per ink cartridge

Compatible Trodat stamp models

Stamps for the office: Trodat Professional
Stamps for at home and on the move:
Original Trodat Printy and Mobile Printy



MULTI COLOR SPECTRUM

